



VISION A-181

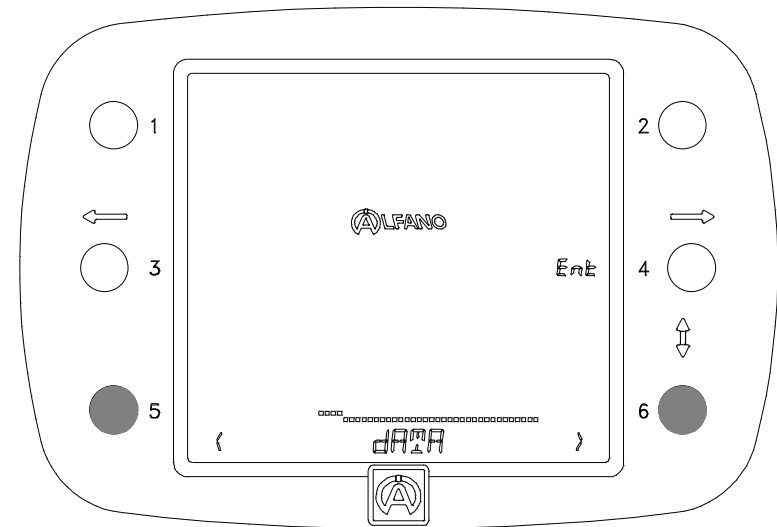
(GB) Operating Instructions *simplified*



For the complete operating instructions, please return you
on our site
www.alfano.com

Commissioning

Turning on your VISION: simultaneously hold the buttons 5 and 6 pressed down for two seconds. By releasing the buttons, the VISION device turns on and positions itself to the menu « DATA ».



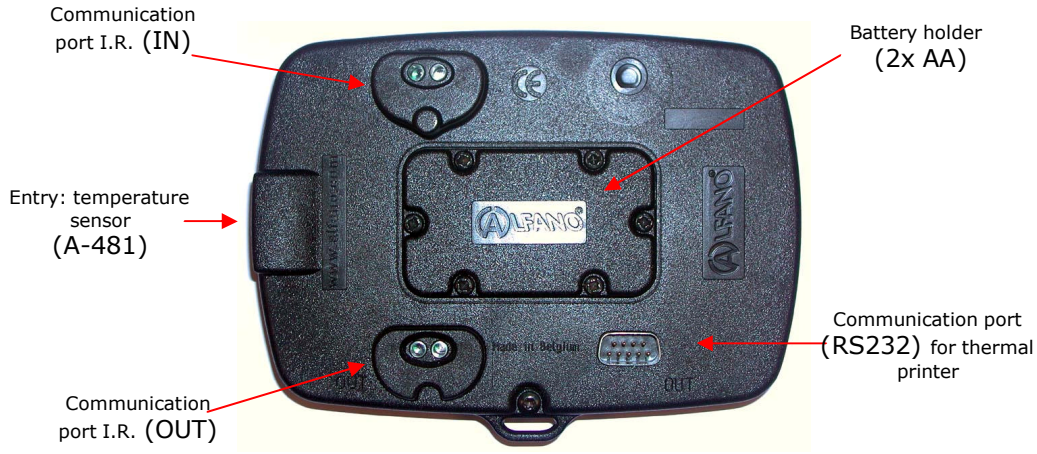
Manual turning off: Press button 5 and 6 for 1 second in the main menu, the Vision device will switch to the position « POWER OFF » and press then button 4 « OFF ».

Automatic turning off: The chronometer automatically shuts off after the device has not been used for 10 minutes.

Detection of weak batteries: When the batteries are weak, the VISION will detect it and the message « CHANGE BATTERY » appears. Anticipate this so the batteries can be replaced as fast as possible. Press button 4 « OFF » to shut off the VISION device and switch the batteries afterwards.

-- CHANGE BATTERY --

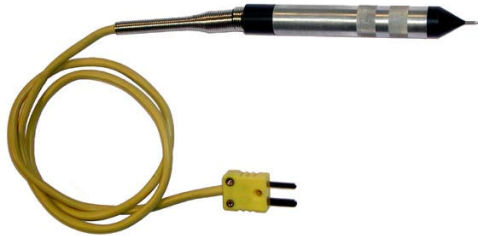
Back face VISION



Accessories

A-481, Tire and asphalt temperature sensor

A487, Sacoche de rangement

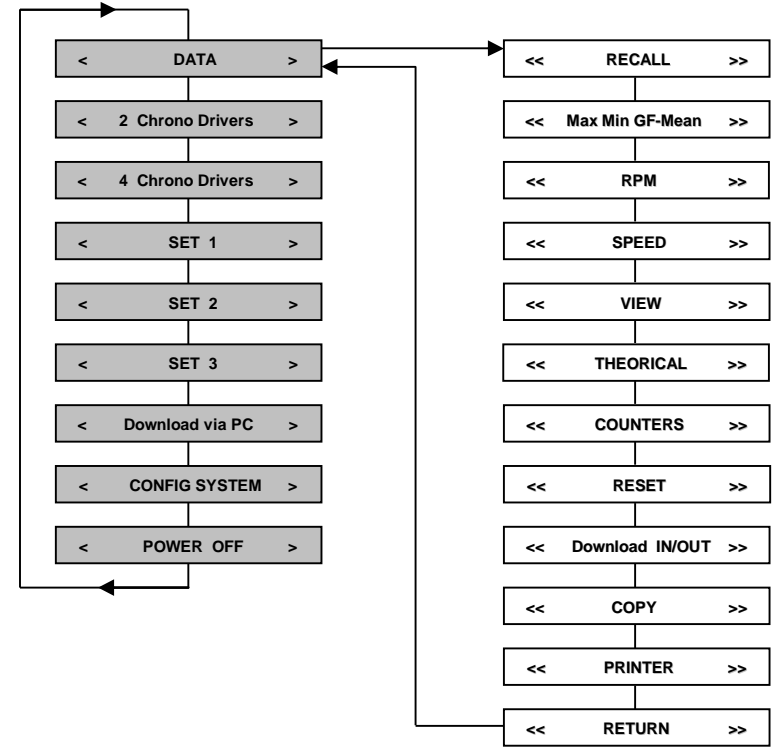
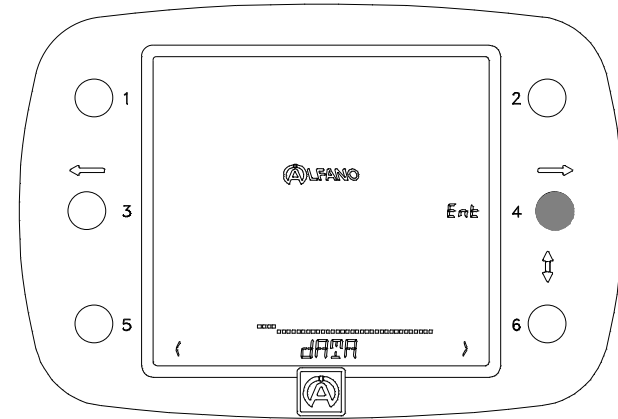


Thermal printer SEIKO « DPU-3445-20 »
Paper size: 110mm



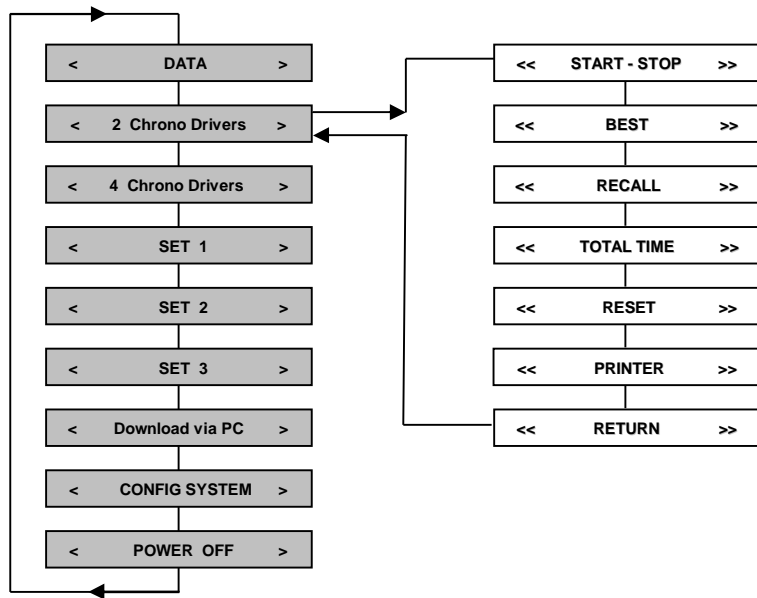
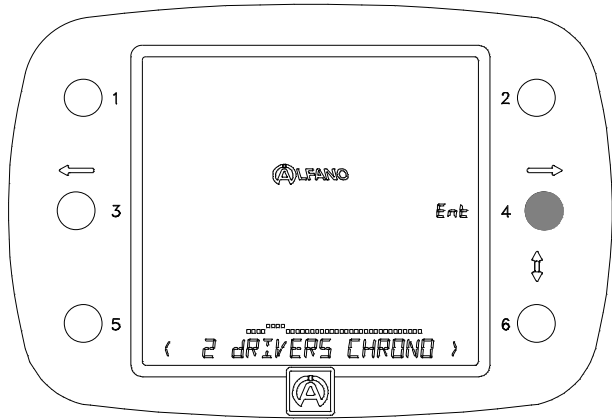
As soon as you turn on your VISION device, the system is in the mode :

< DATA >



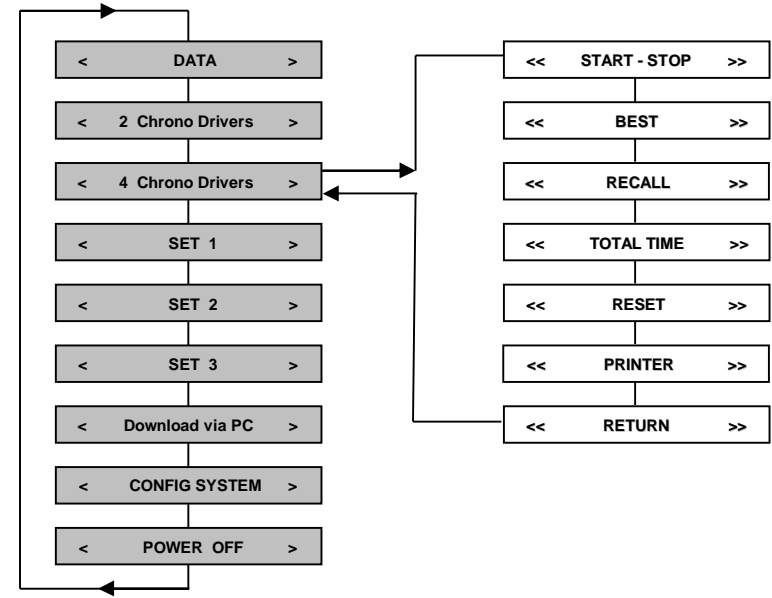
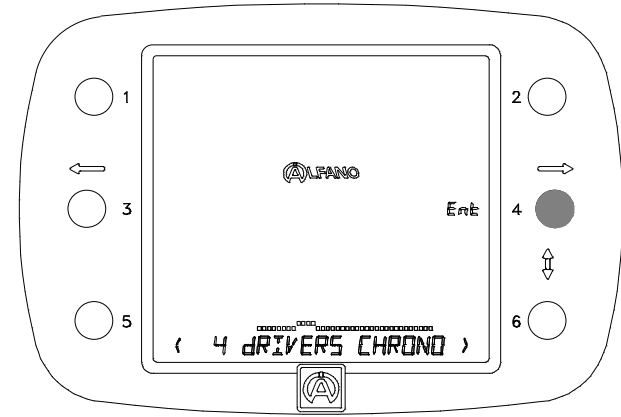
In the « DATA » mode, pressing button 6 once will put the VISION device in the mode:
< 2 CHRONO DRIVERS >

This menu allows manually timing up to 2 competitors at one hundredth of a second for a total of 99 laps with a maximum of 9 split times for each competitor.



In the « DATA » mode, pressing button 6 twice will put the VISION device in the mode:
< 4 CHRONO DRIVERS >

This menu allows you to manually time up to 4 competitors at one hundredth of a second for a total of 99 laps with a maximum of 6 split times for the 4th competitor.



In the « DATA » mode
 - pressing button 6 three, four or five times will put the VISION device in the Set1, Set2 or Set3 mode

< Set KARTING >

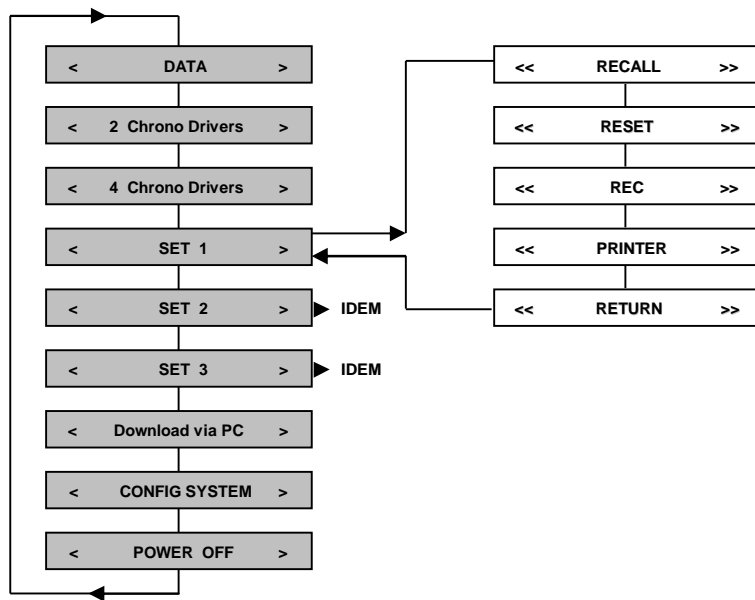
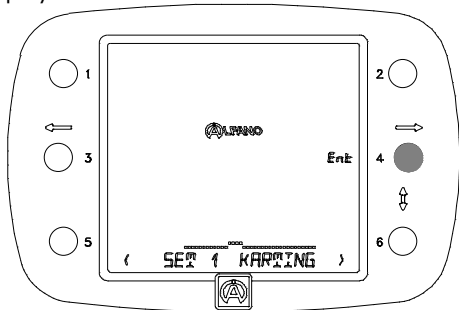
These 3 menus are identical. Each menu allows you to measure and record a temperature for every tire + 2 auxiliary temperatures (asphalt, external T°, etc...) on 2 channels,

Channel 1: OUT - T° Before the race
 Channel 2: IN - T° After the race

And the possibility of manually recording a pressure for every tire on 2 channels ,

Channel 3: OUT - P Before the race
 Channel 4: IN - P After the race

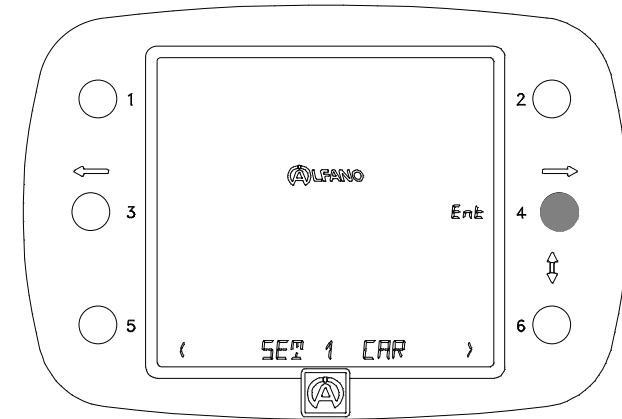
Finally, the differences of temperatures and pressure between the channel « OUT » and the channel « IN » will be displayed.



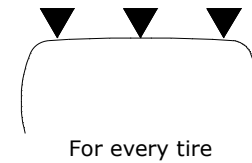
In the « DATA » mode
 - pressing button 6 three, four or five times will put the VISION device in the Set1, Set2 or Set3 mode

< Set CAR >

These 3 menus are almost identical to the menu « Set1, Set2, Set3 KARTING ». The difference lies within the tire temperatures. In fact, these 3 menus « Set1, Set2, Set3 CAR » will allow you to record three temperatures for every tire instead of one.



Exterior - Center - Interior



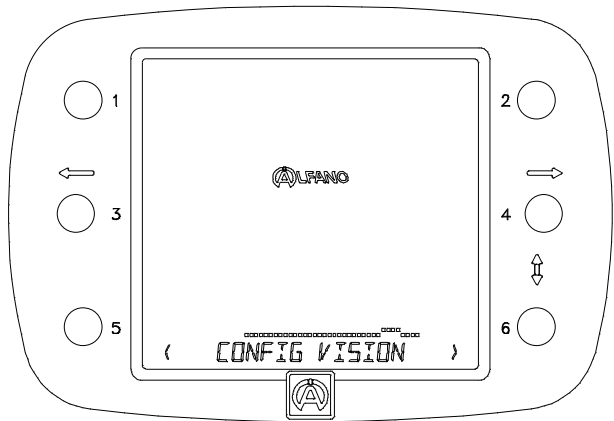
In the menu « CONFIG SYSTEM », you can choose

- either to use the menus « Set1, Set2, Set3 KARTING »
- or to use the menus « Set1, Set2, Set3 CAR »

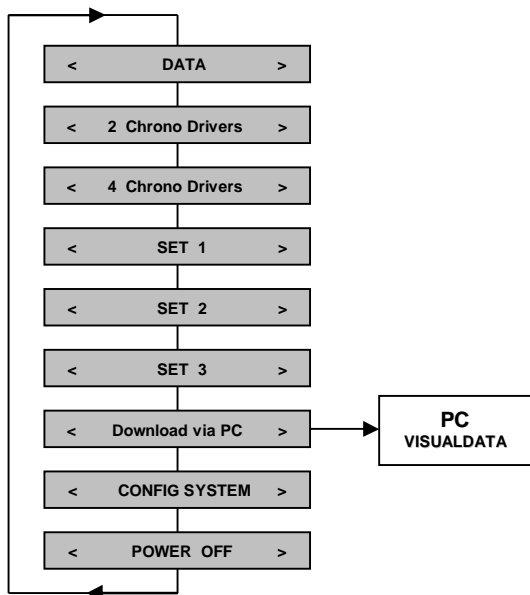
In the « DATA » mode, pressing button 6 six times will put the VISION device in the mode :

< VISION >> PC >

This menu allows you, across the software VISUALDATA, to transfer all data within the VISION device to the Personal Computer PC.



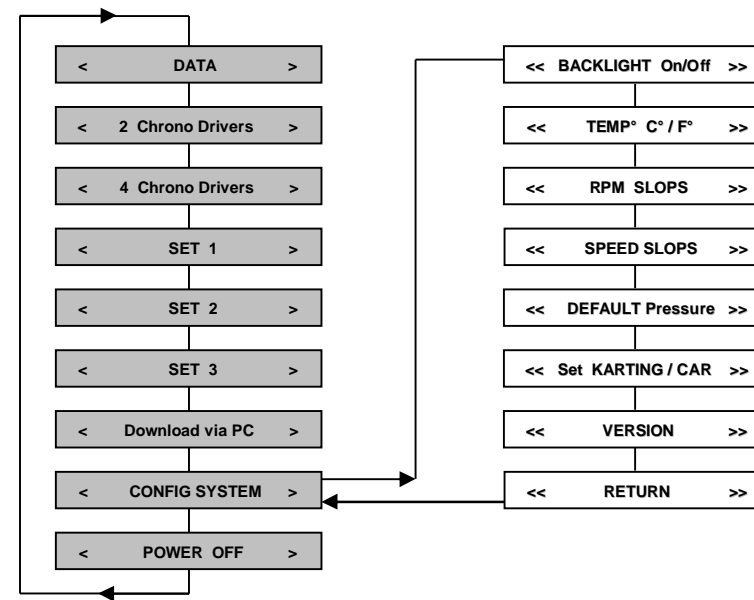
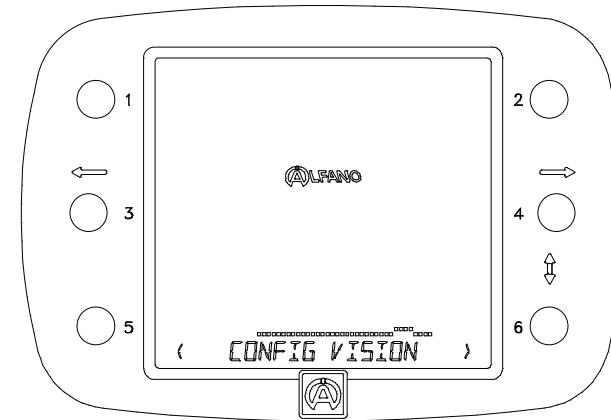
The transfer command is given at the level of the software VISUALDATA



In the « DATA » mode, pressing button 6 7 times will put the VISION device in the mode :

< CONFIG SYSTEM >

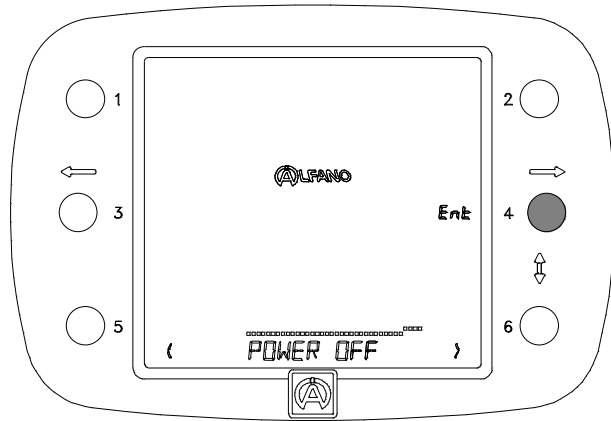
This menu allows you to configure various parameters



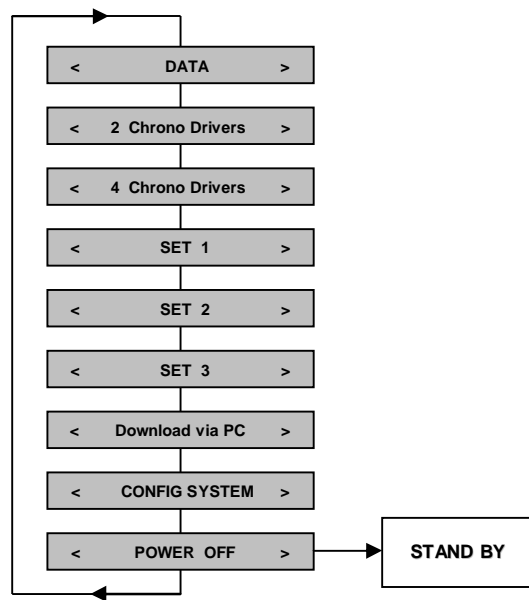
In the « DATA » mode, pressing button 6 eight times will put the VISION device in the mode:

< POWER OFF >

This menu allows you to turn off the VISION device .



Press button 4 « ENT ».



ALFANO S.A.

Rue de l' Industrie, 3b - 1400 NIVELLES

www.alfano.com