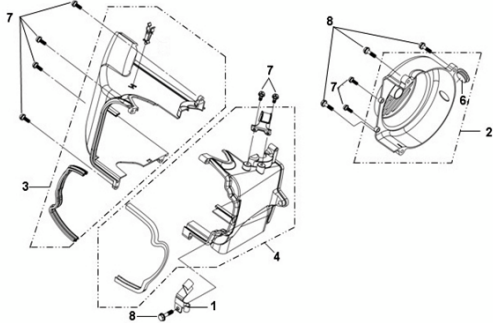




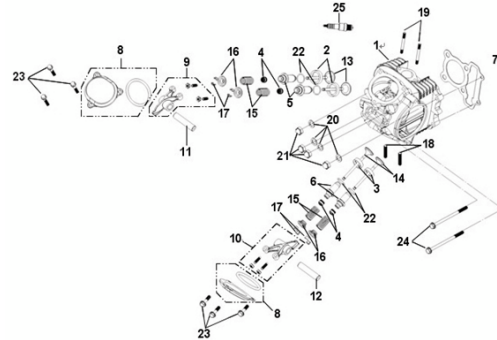
PARTS LIST K4A150
OKTOBER 2010

CONTENTS

01 SHROUD, FAN COVER



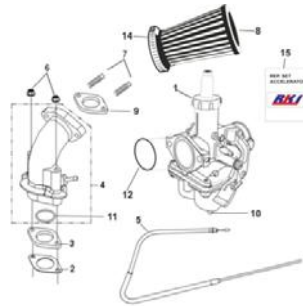
02 CYLINDER HEAD



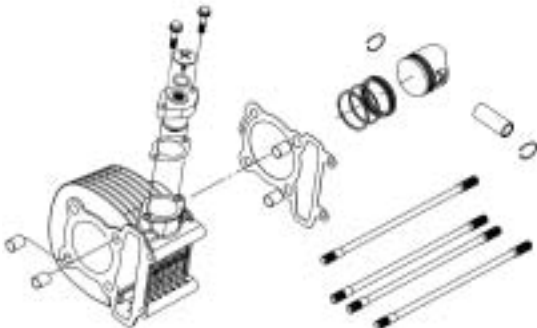
03 CYLINDER HEAD SIDE COVER



04 CARBURETOR, INLET PIPE



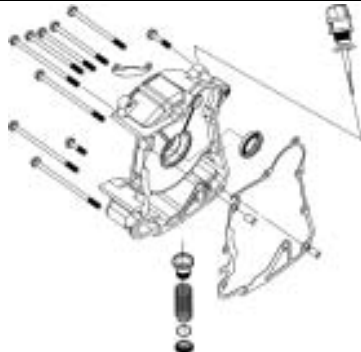
05 CYLINDER, PISTON



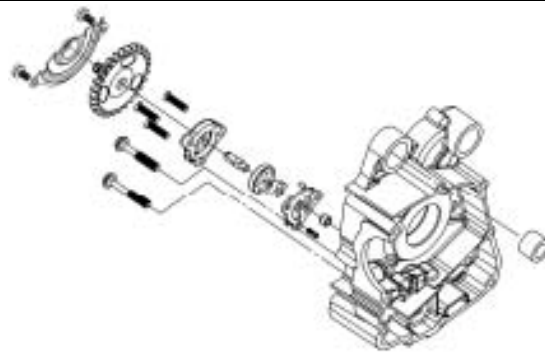
06 AC GENERATOR ASSEMBLY, FAN



07 RIGHT CRANKCASE COVER



08 RIGHT CRANKCASE, OIL PUMP

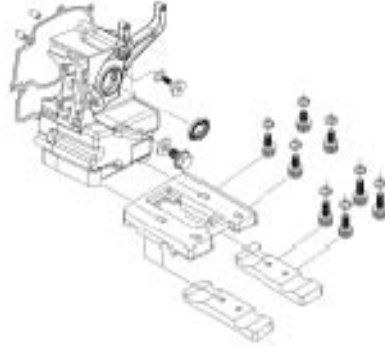


CONTENTS

09 START MOTOR, STARTING CLUTCH



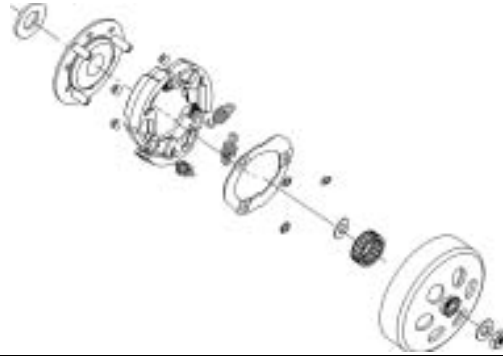
10 LEFT CRANKCASE, ENGINE FIXED BASE



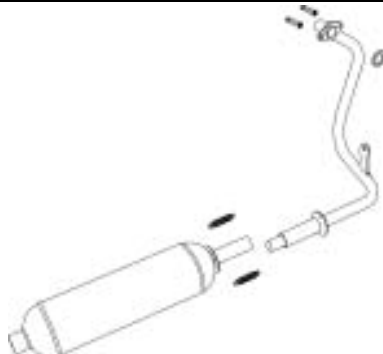
11 CRANK SHAFT



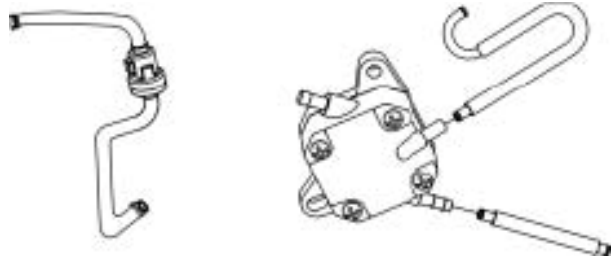
12 CLUTCH



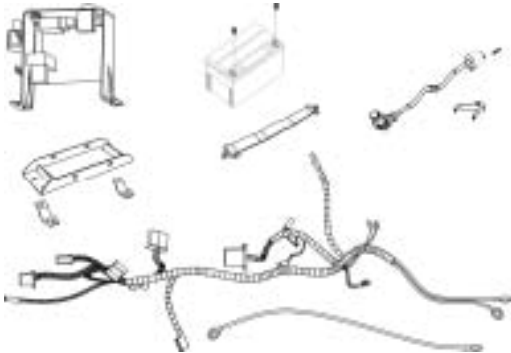
13 MUFFLER



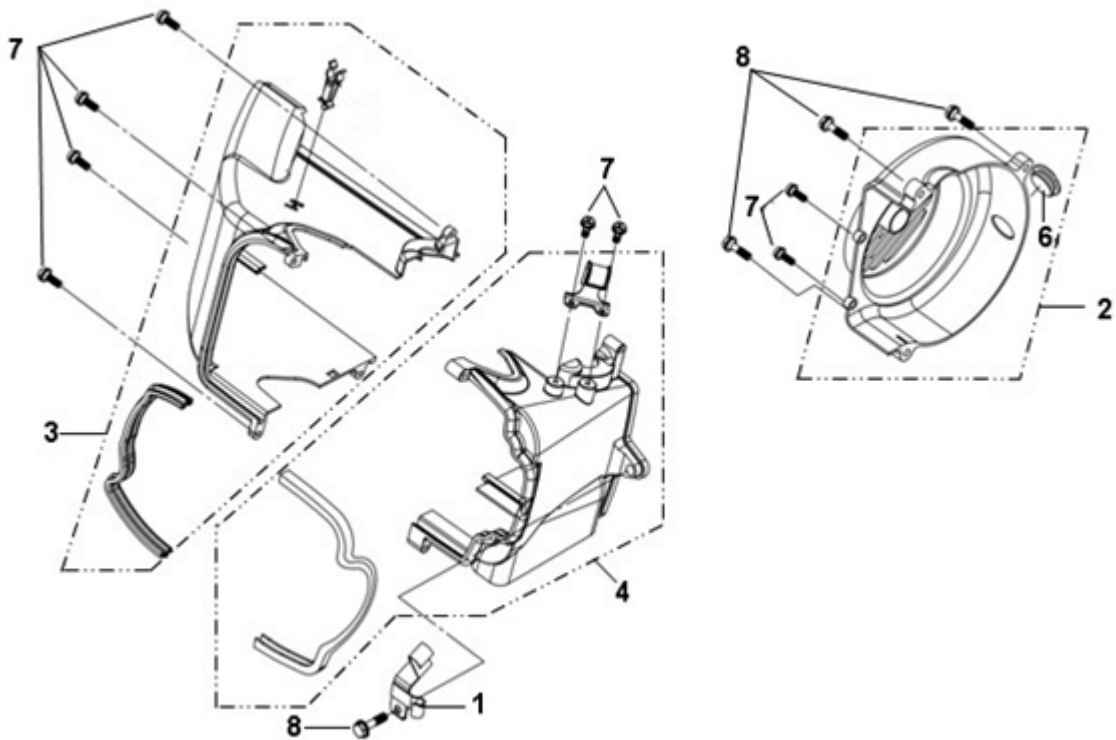
14 FUEL PUMP, FUEL STRAINER



15 WIRE HARNESS, ELECTRICAL PARTS

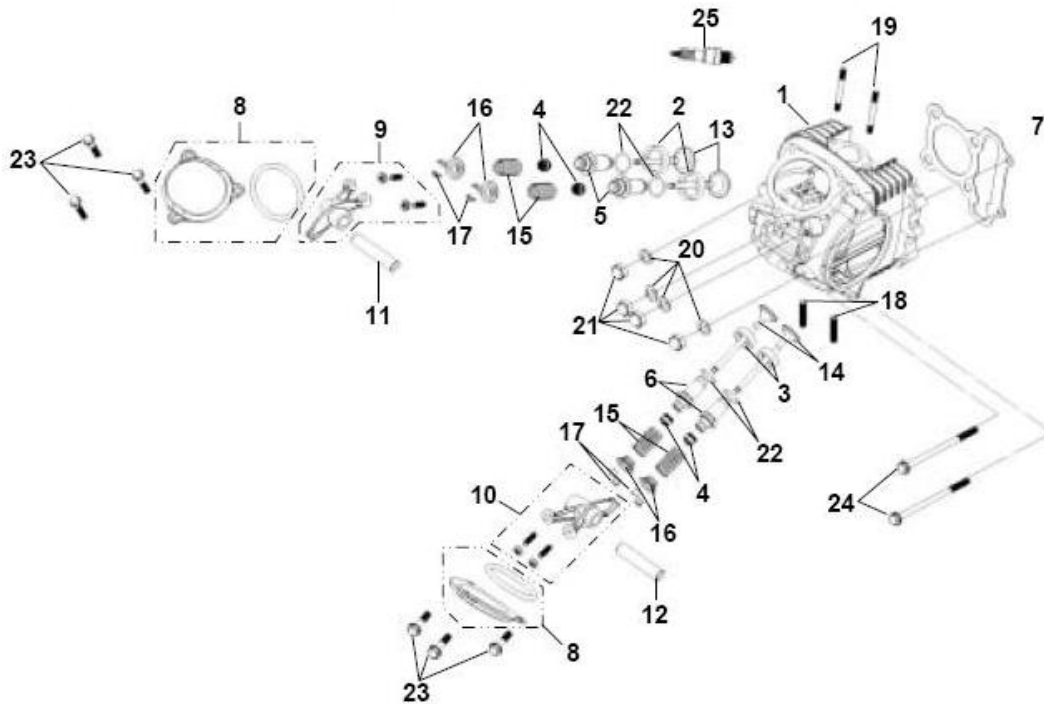


01 SHROUD, FAN COVER



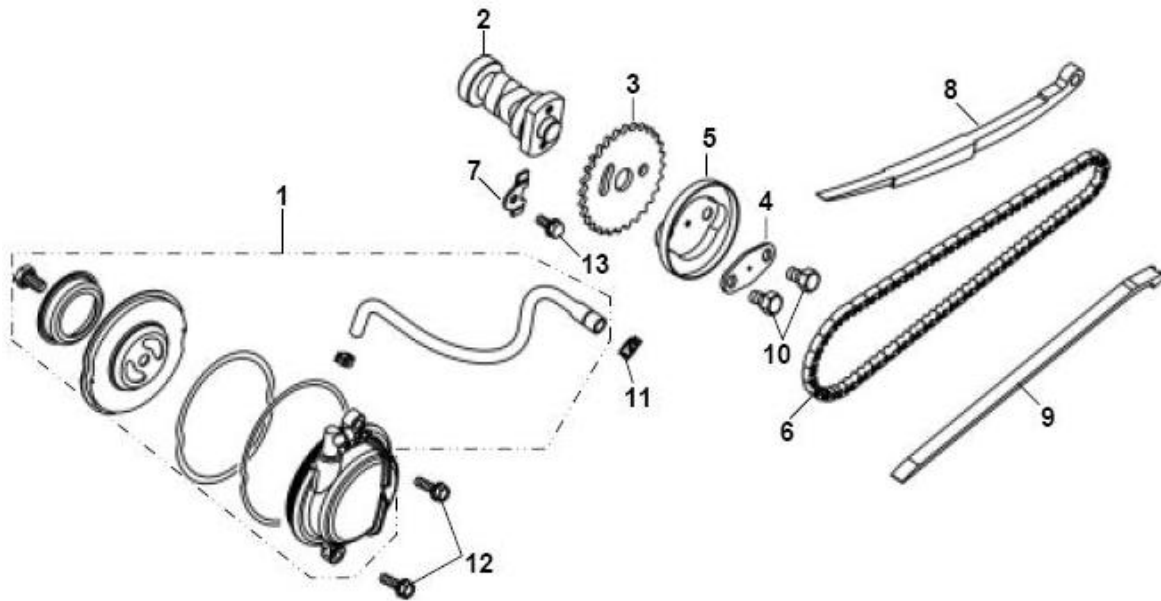
Ref No	Art No	Description	Amount used	
1	K4A01001	CARB. DRAIN TUBE CLAMP	1	
2	K4A01002	FAN COVER ASSY	1	
3	K4A01003	SHROUD A ASSY	1	
4	K4A01004	SHROUD B ASSY	1	
6	K4A01006	SIDE PANEL GROMMET B	1	
7	K4A01007	TAP SCREW 5X16	8	
8	K4A01008	FLANGE BOLT SH 6X25	4	

02 CYLINDER HEAD



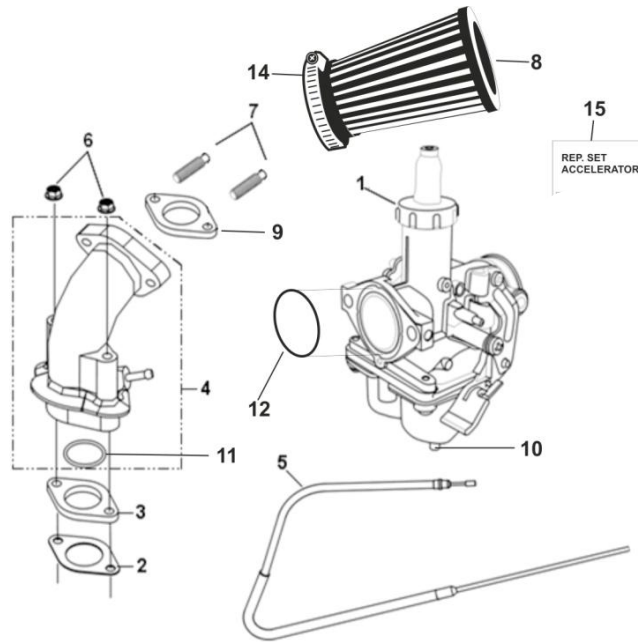
Ref No	Art No	Description	Amount used	
1	K4A02001	CYLINDER HEAD INLET	1	
2	K4A02002	VALVE SEAT EXHAUST	2	
3	K4A02003	VALVE SEAT VALVE	2	
4	K4A02004	STEM SEAL INLET	4	
5	K4A02005	VALVE GUIDE	2	
6	K4A02006	EXHAUST VALVE GUIDE	2	
7	K4A02007	CYLINDER HEAD GASKET	1	
8	K4A02008	TAPPET ADJ. HOLE CAP ASSY	2	
9	K4A02009	INL. ROCKER ARM ASSY	1	
10	K4A02010	EXH. ROCKER ARM ASSY	1	
11	K4A02011	INL. ROCKER ARM SHAFT	1	
12	K4A02012	EXH. ROCKER ARM SHAFT	1	
13	K4A02013	INLET VALVE	2	
14	K4A02014	EXHAUST VALVE	2	
15	K4A02015	VALVE SPRING	4	
16	K4A02016	VALVE SPRING RETAINER	4	
17	K4A02017	VALVE COTTER SET (4 PCS)	2	
18	K4A02018	SPECIAL STUD BOLT 32MM	2	
19	K4A02019	STUD BOLT 6*55	2	
20	K4A02020	SEALING WASHER 6*55	4	
21	K4A02021	CAP NUT 8MM	4	
22	K4A02022	ORING 9X1.6	4	
23	K4A02023	FLANGE BOLT 6X16	6	
24	K4A02024	FLANGE BOLT SH 6X95	2	
25	K4A02025	SPARK PLUG NGK CR 8E	1	

03 CYLINDER HEAD SIDE COVER



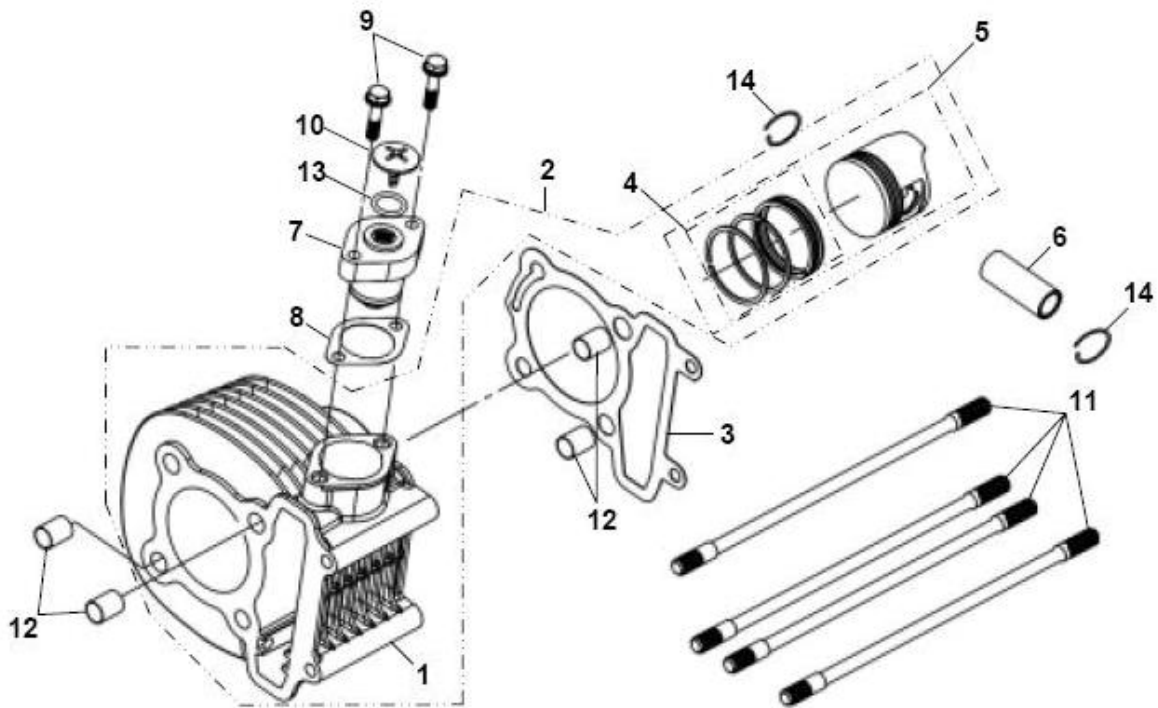
Ref No	Art No	Description	Amount used	
1	K4A03001	CYL. HEAD L SIDE COV. ASSY	1	
2	K4A03002	CAM SHAFT	1	
3	K4A03003	CAM SPROCKET	1	
4	K4A03004	CAM SPROCKET WASHER	1	
5	K4A03005	CENTRIFUGAL DISC	1	
6	K4A03006	CAM CHAIN	1	
7	K4A03007	CAM SHAFT SETTING PLATE	1	
8	K4A03008	CAM CHAIN TENSIONER	1	
9	K4A03009	CAM CHAIN GUIDE	1	
10	K4A03010	LOCK BOLT 6MM	2	
11	K4A03011	TUBE CLIP B10	1	
12	K4A03012	FLANGE BOLT 6X20	2	
13	K4A03013	FLANGE BOLT SH 6X10	1	

04 CARBURETOR, INLET PIPE



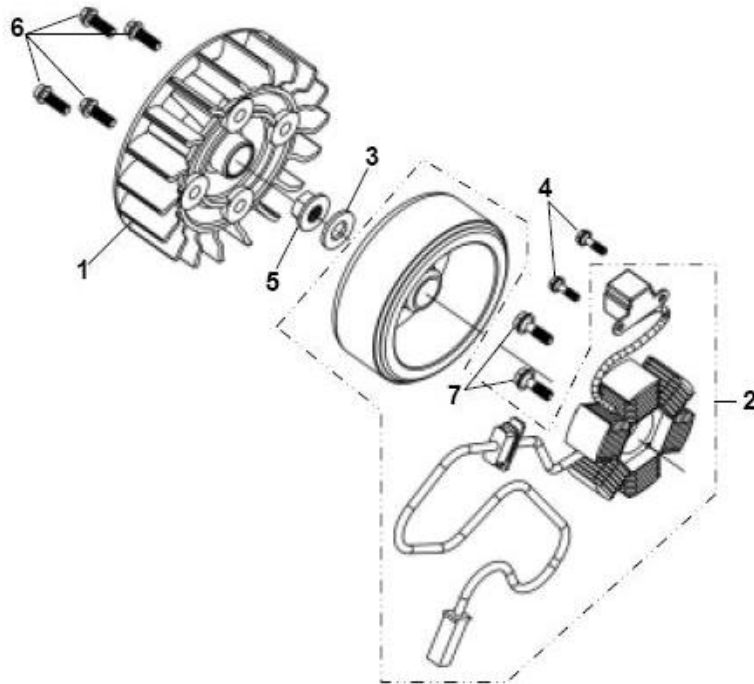
Ref No	Art No	Description	Amount used	
1	K4A04001	CARBURETOR ASSY	1	
2	K4A04002	CARB. INSULATOR GASKET	1	
3	K4A04003	CARB. INSULATOR	1	
4	K4A04004	INLET PIPE ASSY	1	
4	K4A04004A	INLET PIPE ASSY V2	1	
5	K4A04005	THROTTLE CABLE COMPL.	1	
6	K4A04006	FLANGE NUT 6MM	2	
7	K4A04007	FLANGE BOLT SH 6X20	2	
8	K4A04009A	AIRFILTER V2	1	
9	K4A04010	RUBBER GASKET CARBURATOR	1	
10	K4A17100	MAIN JET 100	1	
10	K4A17105	MAIN JET 105	1	
10	K4A17110	MAIN JET 110	1	
10	K4A17115	MAIN JET 115	1	
10	K4A17120	MAIN JET 120	1	
10	K4A17125	MAIN JET 125	1	
11	K4A04012	RING GASKET INLET PIPE	1	
12	K4A04014	RING GASKET CARBURETOR	1	
14	K4A04011	CLAMP AIR FILTER	1	
15	K4A04020	REPAIR SET ACCELERATOR	1	

05 CYLINDER, PISTON



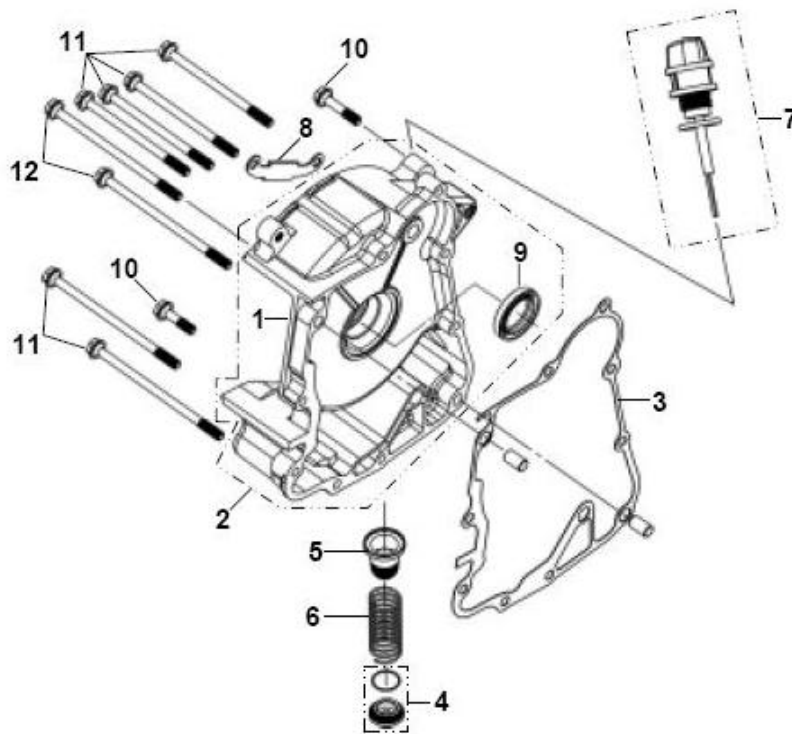
Ref No	Art No	Description	Amount used
1	K4A05001	CYLINDER	1
2	K4A05002	CYLINDER ASSY	1
3	K4A05003	CYLINDER GASKET	1
4	K4A05004	PISTON RING SET	1
5	K4A05015	PISTON	1
5	K4A05015A	PISTON V2	1
6	K4A05006	PISTON PIN TENSIONER	1
7	K4A05007	LIFTER TENSIONER LIFTER	1
8	K4A05008	GASKET FLANGE BOLT SHF	1
9	K4A05009	6X22	2
10	K4A05010	PAN SCREW 6X6	1
11	K4A05011	CYLINDER STUD BOLT A	4
12	K4A05012	DOWEL PIN 10X14	4
13	K4A05013	ORING 1.5X9.5	1
14	K4A05014	PISTON PIN CLIP 15MM	1

06 AC GENERATOR ASSEMBLY, FAN



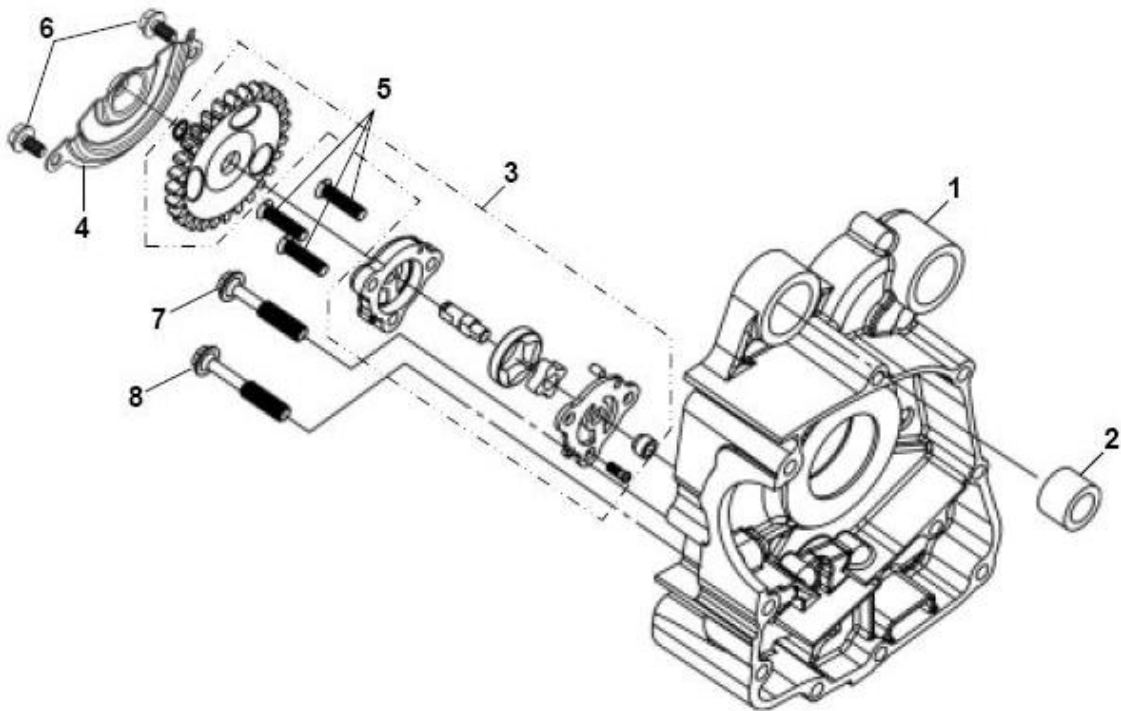
Ref No	Art No	Description	Amount used	
1	K4A06001	COOLING FAN	1	
2	K4A06002	AC. GENERATOR ASSY	1	
3	K4A06003	PLAIN WASHER 12MM	1	
4	K4A06004	HEX BOLT 5X12	2	
5	K4A06005	FLANGE NUT 12MM	1	
6	K4A06006	FLANGE BOLT 6X18	4	
7	K4A06007	FLANGE BOLT SH 6X18	2	

07 RIGHT CRANK CASE COVER



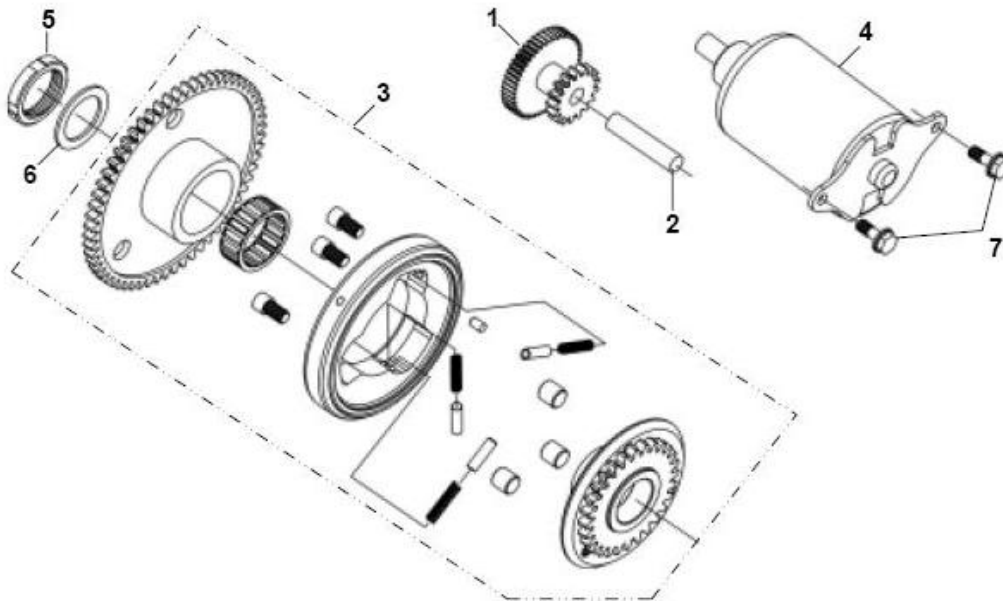
Ref No	Art No	Description	Amount used
1	K4A07001	R CRANK CASE COVER	1
2	K4A07002	R CRANK CASE COVER ASSY	1
3	K4A07003	R COVER GASKET	1
4	K4A07004	TAPPET ADJ. HOLE CAP ASSY	1
5	K4A07005	OIL FILTER SCREEN	1
6	K4A07006	OIL FILTER SPRING	1
7	K4A07007	OIL LEVEL GAUGE	1
8	K4A07008	ACG. CORD CLAMPER	1
9	K4A07009	OIL SEAL 19.8X30X5	1
10	K4A07010	FLANGE BOLT SH 6X30	2
11	K4A02024	FLANGE BOLT SH 6X95	6
12	K4A07012	FLANGE BOLT SH 6X100	2

08 RIGHT CRANKCASE, OIL PUMP



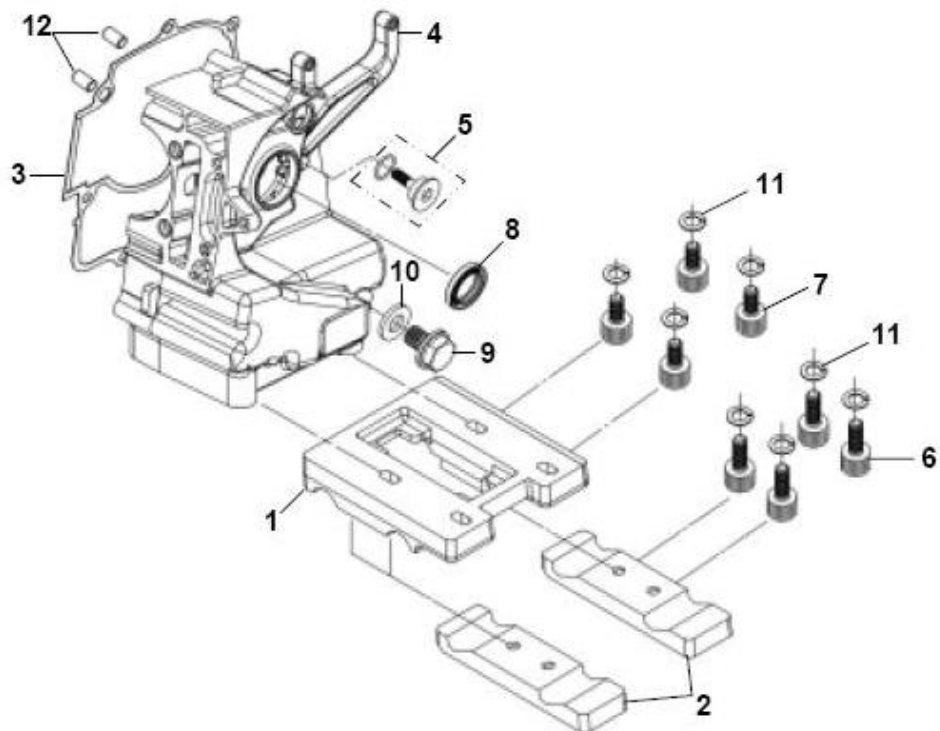
Ref No	Art No	Description	Amount used	
1	K4A08001	R CRANK CASE COMPL.	1	
2	K4A08002	ENG. HANGER RUBBER BUSH	1	
3	K4A08003	OIL PUMP ASSY	1	
4	K4A08004	OIL PUMP SEPARATOR	1	
5	K4A08005	FLAT SCREW 6X25	3	
6	K4A08006	FLANGE BOLT SH 6X12	2	
7	K4A08007	FLANGE BOLT SH 6X45	1	
8	K4A08008	FLANGE BOLT SH 6X55	1	

09 START MOTOR, STARTING CLUTCH



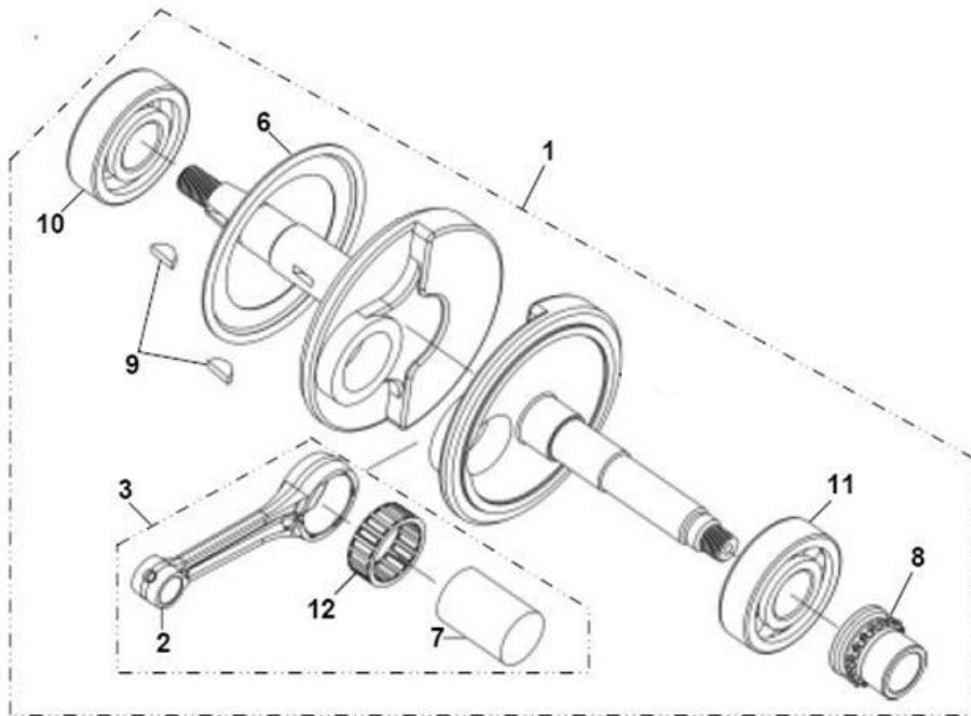
Ref No	Art No	Description	Amount used	
1	K4A09001	STARTER REDUCTION GEAR	1	
2	K4A09002	STARTER RED. GEAR SHAFT	1	
3	K4A09003	START CLUTCH OUTER ASSY	1	
4	K4A09004	START MOTOR ASSY	1	
5	K4A09005	LOCK NUT 22MM	1	
6	K4A09006	THRUST WASHER 22.2X31X1.5	1	
7	K4A02023	FLANGE BOLT 6X16	2	

10 LEFT CRANKCASE, ENGINE FIXED BASE



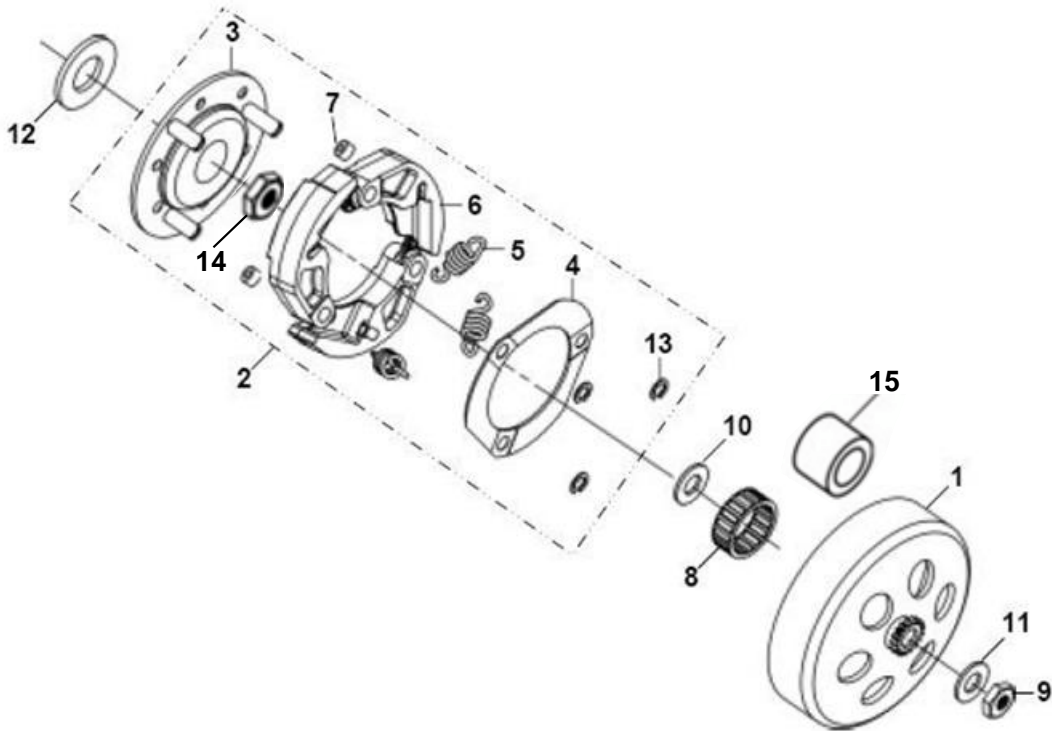
Ref No	Art No	Description	Amount used
1	K4A10001	ENG. ASSY FIXED BASE ENGINE	1
1	K4A10001L	BASE 92MM LOW ENGINE BASE	1
1	K4A1000190	90MM (CRGTYPE)	1
1	K4A1000190L	ENGINE BASE 90MM LOW (CRGTYPE)	1
2	K4A10002	ENG. SET FIXED PLATE	2
3	K4A10003	CRANK CASE GASKET	1
4	K4A10004	LEFT CRANK CASE	1
5	K4A10005	CAM CHAIN TNSR. PIVOT ASSY	1
6	K4A10006	SOCKET BOLT M10X1.5X45	4
7	K4A10007	SOCKET BOLT M10X1.5X40	4
8	K4A10008	OIL SEAL 25.5X37X6	1
9	K4A10009	DRAIN PLUG BOLT 12MM	1
10	K4A10010	DRAIN PLUG WASHER 12MM	1
11	K4A10011	SPRING WASHER 10MM	8
12	K4A10012	DOWEL PIN 8X14	2

11 CRANK SHAFT



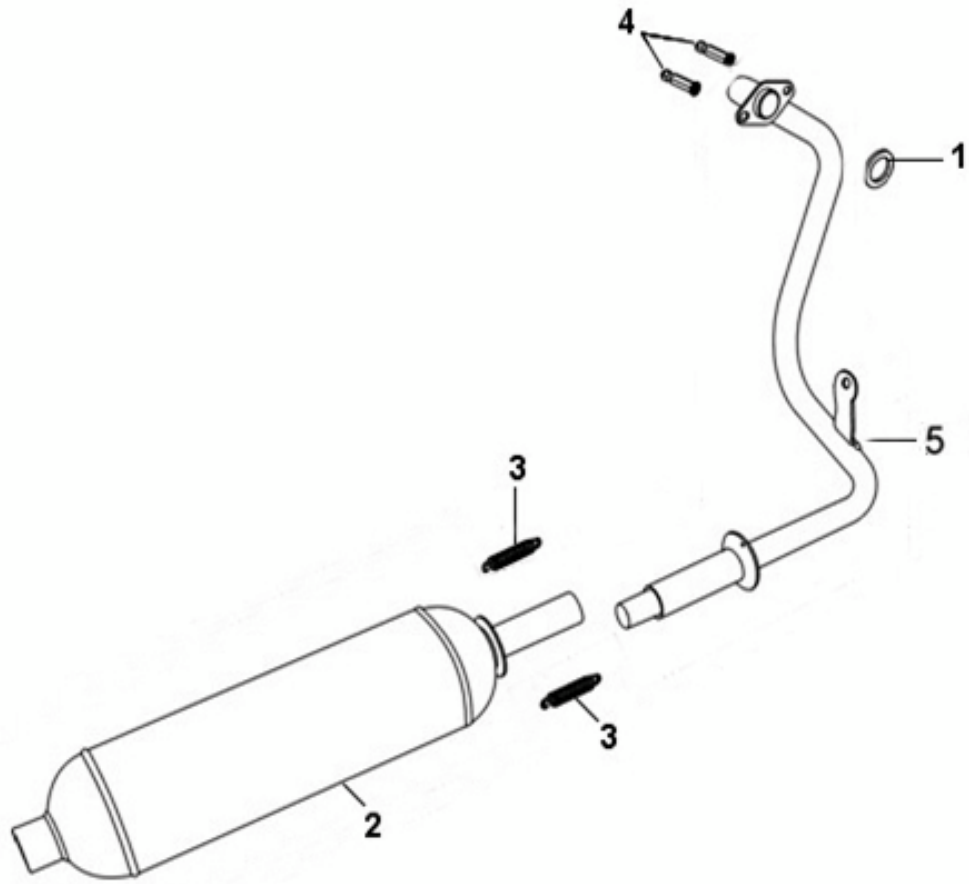
Ref No	Art No	Description	Amount used	
1	K4A11001	CRANK SHAFT COMPL.	1	
1	K4A11001A	CRANK SHAFT COMPL. V2	1	
2	K4A11002	CONNECTION ROD	1	
2	K4A11002A	CONNECTION ROD V2	1	
3	K4A11003	CONNECTION ROD ASSY	1	
6	K4A11006	R CRANK SIDE PLATE	1	
7	K4A11007	CRANK PIN	1	
8	K4A11008	TIMING SPROCKET	1	
9	K4A11009	WOODRUFF KEY 25X14X4	2	
10	K4A11010	RAD. BALL BEARING TMB3/22	1	
11	K4A11011	RAD. BALL BEARING TMB305C	1	
12	K4A11012	CONNECTION ROD BEARING	1	

12 CLUTCH



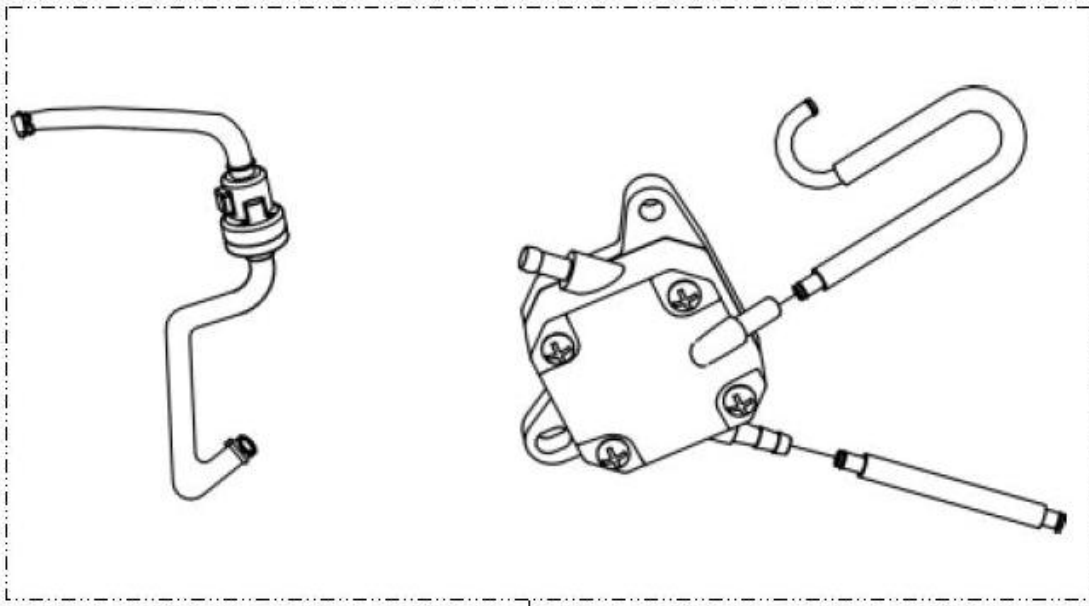
Ref No	Art No	Description	Amount used
1	K4A12001	CLUTCH DRUM 11T/219	1
1	K4A12015	CLUTCH DRUM 12T/219	1
1	K4A12014	CLUTCH DRUM 13T/219	1
1	K4A12014A	CLUTCH DRUM 13T/219 V2	1
1	K4A12016	CLUTCH DRUM 9T/035	1
1	K4A12017	CLUTCH DRUM 10T/035	1
1	K4A12018	CLUTCH DRUM 11T/035	1
1	K4A12019	CLUTCH DRUM 12T/035	1
2	K4A12002	DRIVE PLATE ASSY	1
2	K4A12002A	DRIVE PLATE ASST V2	1
3	K4A12003	CLUTCH GROUND PLATE	1
4	K4A12004	CLUTCH SIDE PLATE	1
5	K4A12005A	CLUTCH SPRING SET V2 (3PCS)	1
5	K4A12005A	CLUTCH SPRING SET RED (3PCS)	1
5	K4A12005W	CLUTCH SPRING SET WHITE (3PCS)	1
6	K4A12006A	CLUTCH WEIGHT SET (3 PCS)	1
7	K4A12007	CLUTCH DAMPER RUBBER	3
8	K4A12008	NEEDLE BEARING 12X15X14	1
8	K4A12008A	NEEDLE BEARING 15X19X19.5 V2	1
9	K4A12009	SPECIAL NUT 10X1.25	1
10	K4A12010	INNER CLUTCH WASHER 12X20X2	1
10	K4A12010A	INNER CLUTCH WASHER 12X20X2 V2	1
11	K4A12011	OUTHER CLUTCH WASHER 10X18X3	1
11	K4A12011A	OUTHER CLUTCH WASHER 10X18X3 V2	1
12	K4A12012	WASHER 16MM	1
13	K4A12013	CIRCLIP 6MM	3
14	K4A12020	NUT GROUNDPLATE M16X1	1
15	K4A12012A	BUSH 12X20X2 V2	1

13 MUFFLER



Ref No	Art No	Description	Amount used	
1	K4A13001	EXHAUST PIPE GASKET	1	
2	K4A13002	EXHAUST MUFFLER	1	
3	K4A13003	MUFFLER SPRING	2	
4	K4A13004	MUFFLER JOINT NUT M7	2	
5	K4A13008	EXHAUST PIPE V2 (LOW VERSION)	1	

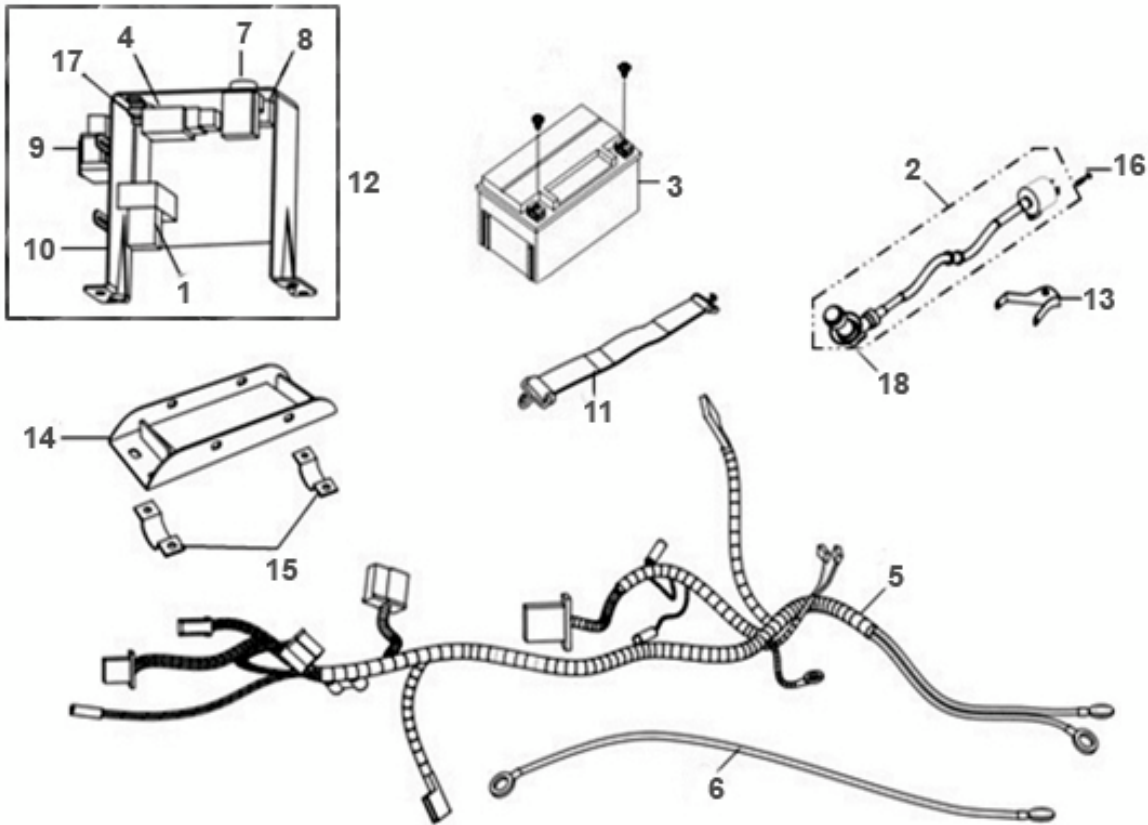
14 FUEL PUMP, FUEL STRAINER



1

Ref No	Art No	Description	Amount used	
1	K4A14001	FUEL PUMP ASSY	1	
1	K4A14001A	FUEL PUMP ASSY V2	1	
	K4A14002	FUEL PUMP MOUNTING PLATE	1	

15 WIRE HARNESS, ELECTRICAL PARTS



Ref No	Art No	Description	Amount used	
1	K4A15001	CDI UNIT	1	
2	K4A15002	IGNITION COIL ASSY	1	
3	K4A15003	BATTERY ASSY YTX5LBS	1	
4	K4A15004	REG. REC COMPLETE	1	
5	K4A15005	WIRE HARNESS	1	
5	K4A15005A	WIRE HARNESS V2	1	
6	K4A15006	CABLE EARTH SWITCH	1	
7	K4A15007	UNIT ON/OFF START	1	
8	K4A15008	SWITCH UNIT START	1	
9	K4A15009	MAG. SWITCH SET	1	
10	K4A15010A	BATTERY CASE TOP V2	1	
11	K4A15011	BATTERY BAND	1	
12	K4A15012	BATTERY BOX ASSY	1	
12	K4A15012A	BATTERY BOX ASSY V2	1	
13	K4A15013	IGNITION COIL STAY	1	
14	K4A15014	BATTERY BASE	1	
15	K4A15015	BATTERY BASE CLAMP	2	
16	K4A15016	FLANGE BOLT 5X22	1	
17	K4A15017	FLANGE BOLT 6X12	1	
18	K4A15018	CAP SPARK PLUG	1	
18	65210	CAP SPARK PLUG NGK (not original K4A)	1	
19	K4A15019A	WIRE HARNESS BATTERY BOX V2	1	
20	K4A15020V2	FILLER PLATE BATTERY BOX V2	1	
22	K4A15022	ENGINE WIRE HARNESS	1	
22	K4A15022V2	ENGINE WIRE HARNESS V2	1	
	K4A15025	BATTERY CHARGER KIT	1	